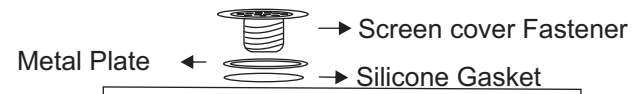
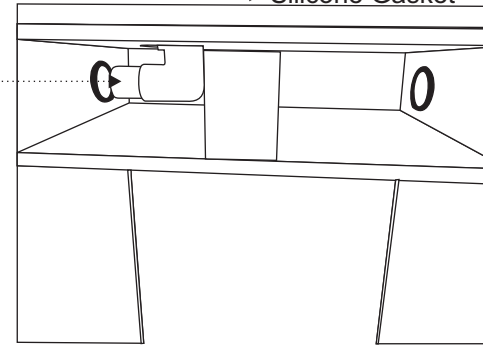


Installation to the wall

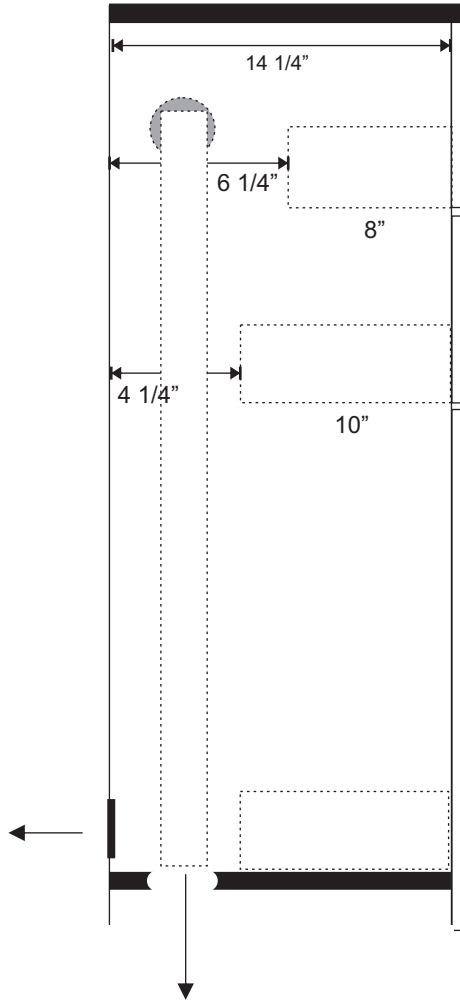
1. Make a 2" Hole on back of the table at any desirable location.
2. Pull Flex pipe through the hole to connect.



2"OD PVC Flex Hose
Fasten with Clamp

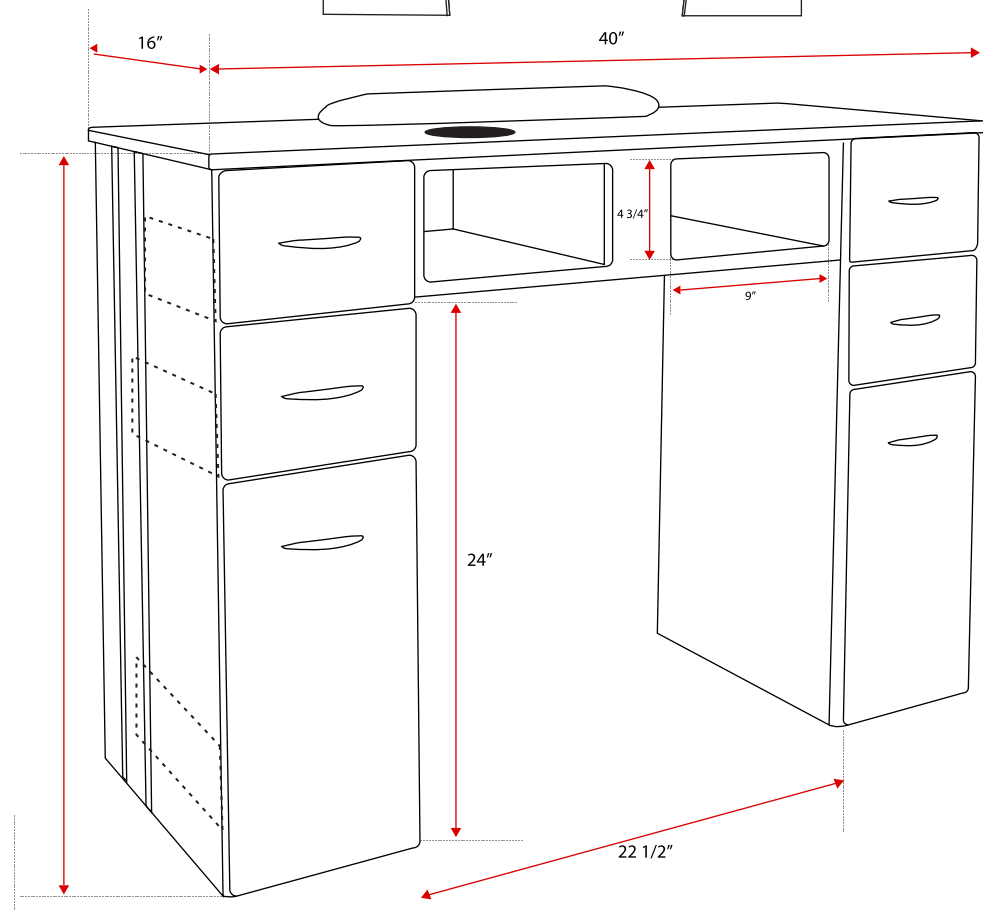


Side View (Left)



Basement installation

30 1/2"

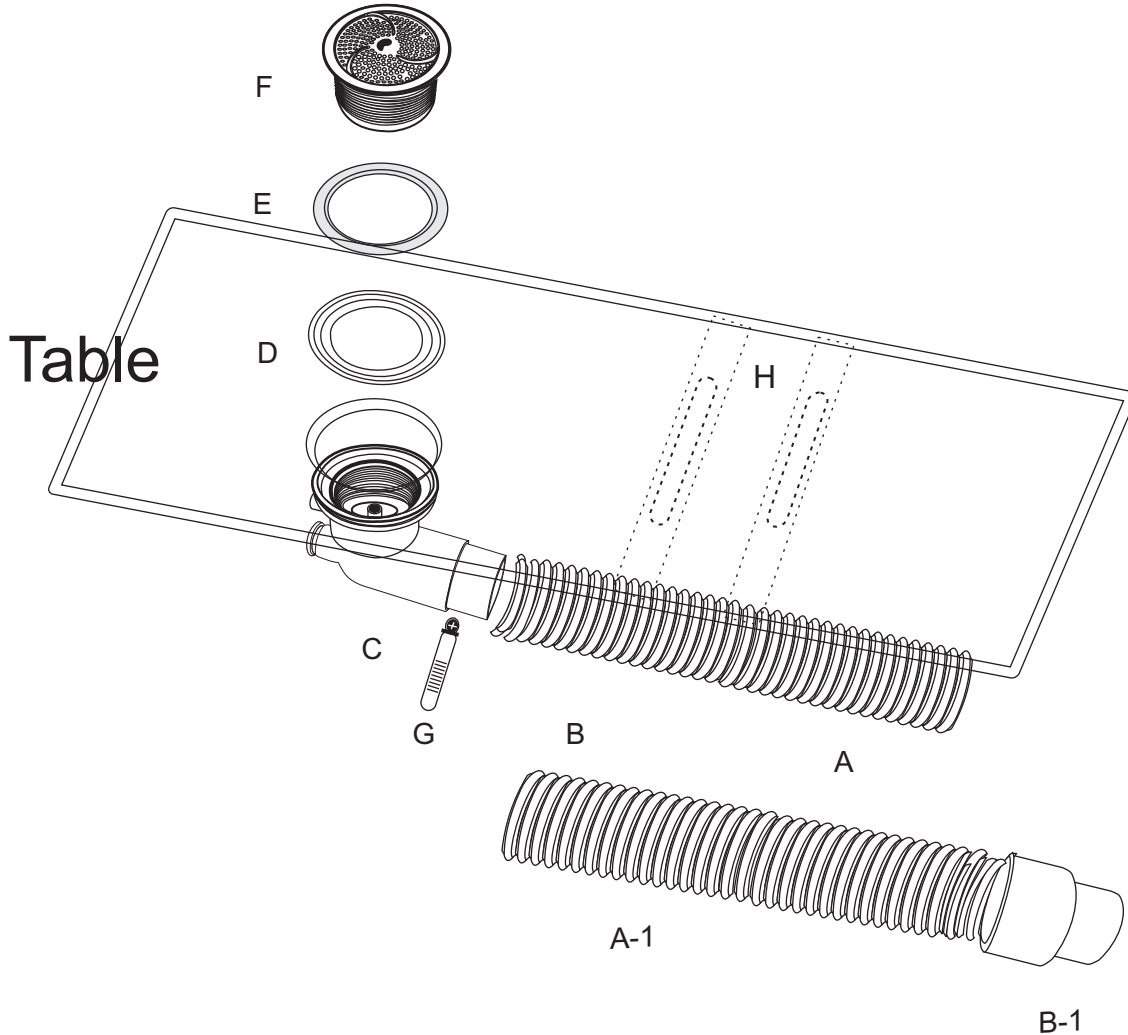


22 1/2"

Nail Table (Single) Ventilation Assembly

Assembly Parts

A- 2" OD PVC Flex Pipe	Qty. 1
B- Female Screw type Rubber adaptor	Qty. 1
C- "L" Shape Vent body	Qty. 1
D- Silicone Gasket	Qty. 1
E- Chrome Spacer	Qty. 1
F- Vent Screen Cover Fastener	Qty. 1
G- Clamp for adaptor	Qty. 1

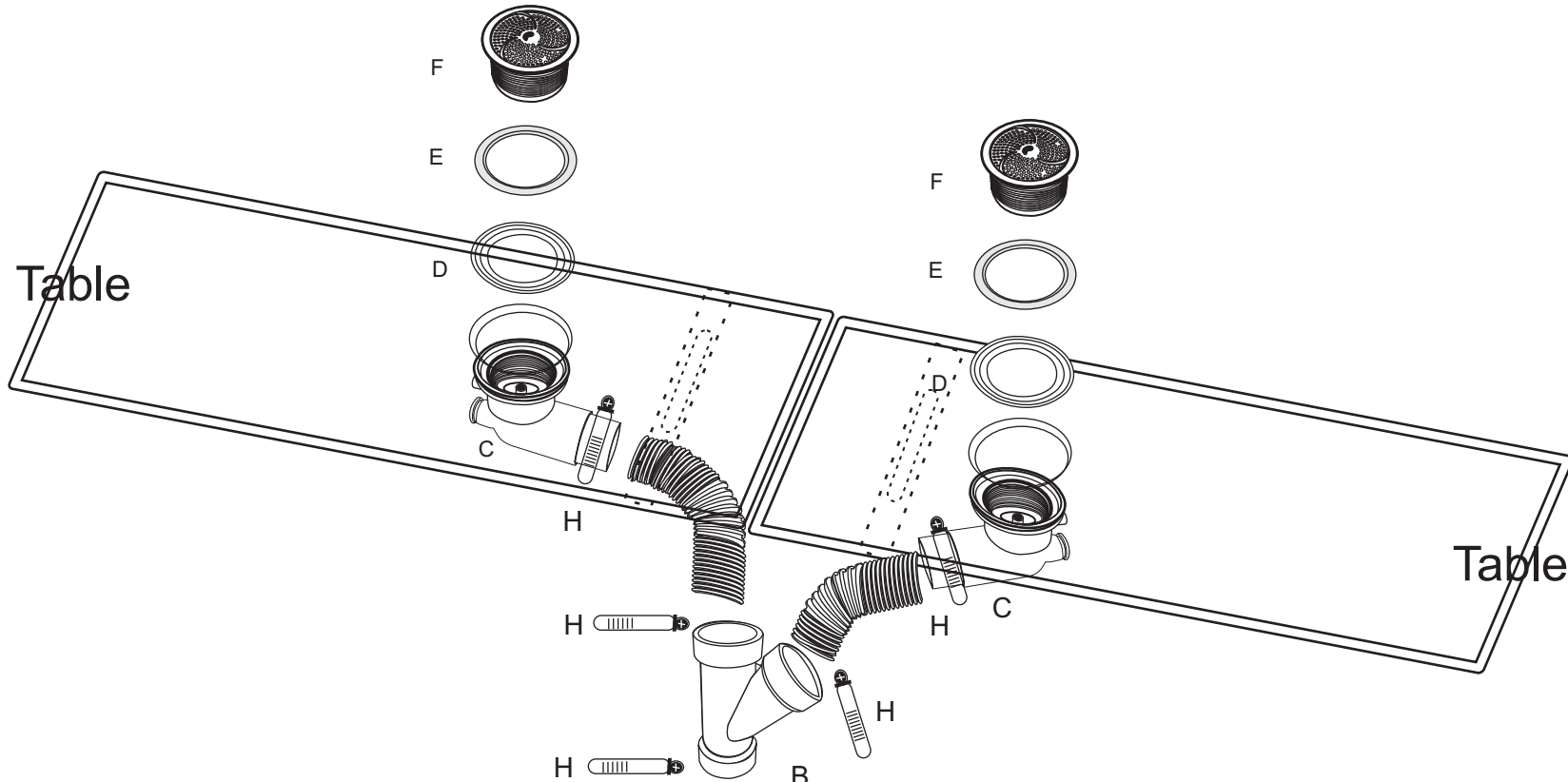


Attention: Please make a note of instruction #2
Nail Table Ventilation Outlet is not provided

Instruction

1. Please check assembly item
2. Marked and make a hole for desirable Vent outlet location
3. Put "A" into "B" and turn as counter clock - all the way in
4. Put "A" through nail table sub-column (Pre-hole)
5. Place a clamp on "C" and insert "B" to "C" and tight clamp
6. Place "C" from underneath the table and hold
7. Place "D" on top of table and "E" on top of the gasket.
8. Place "F" into E, D,C and turn in Clock wise and hand tight.
"F" must be align with E,D,C before tight.
9. Bring A-1 to Vent outlet of the table and insert B-1.

Nail Table (Double) Ventilation Assembly



Assembly Parts

A.- 2"OD PVC Flex Pipe	3
B.- Y Type PVC 1 1/2"	1
C.- Elbow Vent Body	2
D.- Clear Silicone Gasket	2
E.- Chrome Cover Plate	2
F.- Vent Screen Fastener	2
G.- Female Screw Type Rubber Adaptor	1
H.- Clamp	5

Attention: Please make a note of instruction #2
Nail Table Ventilation Outlet is not provided

Instruction

1. Please check assembly item
2. Marked and make a hole for desirable Vent outlet location
3. Put "A" to "B" and clamp it tightly and same manner up to "C"
4. Place "C" from underneath the table and hold
5. Place "D" on top of table and "E" on top of the gasket.
6. Place "F" into E, D,C and turn in Clock wise and hand tight.
"F" must be align with E,D,C before tight.
7. Bring "A" to Vent outlet of the table.
8. Place "G" onto "A" and turn counter clock wise.

Vent Outlet